



SBT2000S Series

Specially Designed for Large Parcel Delivery
and Users with Physical Disabilities

SBT2000S Single-lane swing barrier turnstile

SBT2011S Single-lane swing barrier turnstile
(w/ a controller and a RFID reader)

SBT2022S Single-lane swing barrier turnstile
(w/ a controller and a fingerprint & RFID reader)

The SBT2000S Series of wide-passage single-lane swing barriers is an elegant and cost-effective entrance control system specially designed for large parcel delivery and people with physical disabilities.

The SBT2000S Series offers a single-lane swing barrier designed for smooth and quiet operation and draws very little power. The width of the lane is 800mm. The default gate opening/closing time is 3 seconds. The sensitive infrared sensor installed at the bottom part of the gate could avoid accidental hurt by the moving barrier glass. Besides, during a power outage, users could simply push and open the gate then leave the area.

Features

Reliability

- A design for both disabled and non-disabled users
- MCBF of 5-million times
- Smart indicator modes representing the standby, successful verification and access denied status

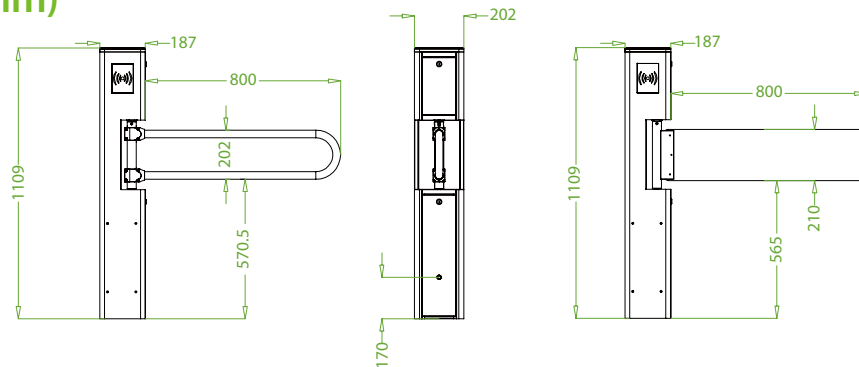
Safety

- Anti-collision
- Barrier unlock automatically during a power outage
- Fast and straightforward card and fingerprint authentication

Specifications

	SBT2000S	SBT2011S	SBT2022S
Reader	N/A	RFID	RFID & Fingerprint
Controller	N/A	PGIC controller	PGIC controller
Card Capacity	N/A	10,000	10,000
Fingerprint Capacity	N/A	N/A	3,000
Log Capacity	N/A	100,000	100,000
Power Requirements	AC 110V/220V, 50/60Hz		
Lane Width (mm)	800(optional≤920mm)		
Infrared Sensor	A sensor		
LED Indicator	Support		
Cabinet Material	Cold rolled sheet (optional: SUS304 stainless steel)		
Lid Material	Acrylic		
Barrier Material	Tempered glass (optional: stainless steel or acrylic)		
Barrier Movement	Swing		
Emergency Mode	Support		
Working Temperature	-15°C to 60°C		
Working Humidity	20% to 93% (non-condensing)		
Working Environment	Indoor / Outdoor (if sheltered)		
Dimensions (L*W*H)	202 * 187 * 1109 (mm)		
Dimensions with Packing (L*W*H)	280 * 280 * 1160 (mm)		
Weight (kg)	24		
Weight with Packing (kg)	41		
MCBF	5million		
Warranty	1year		

Dimensions (mm)



Color and Chassis Material Options

